



DACAME

MULTIPURPOSE SCAFFOLD



- Designed for your basic masonry, plumbing projects.
- It allows a platform height of 6'6".
- An optional guardrail set which guarantees a safe work is available.
- Meets the OSHA subpart L 1926.452(w) requirements.
- Manufactured according to the European Standard EN 1004. Its Instruction Manual meets European Standard EN 1298.

MULTIPURPOSE SCAFFOLD SPECIFICATIONS:

- Platform height (min, max): 2'4" - 6'3"
- Maximum platform load: 1000 lbs.
- Weight: 133 lbs.

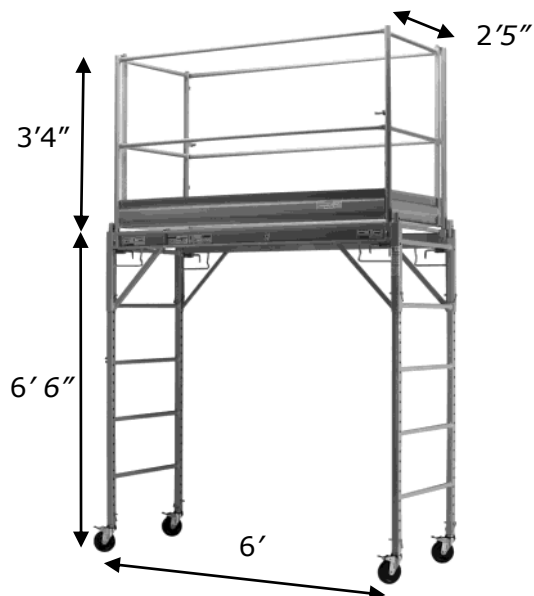


MULTIPURPOSE SCAFFOLD

- Indoor and outdoor use.
- Yellow powder coat finish.
- Steel frame A570 grade 40.
- 4 double locking casters with snap pin.
- 360 degree swivel action.

OPTIONAL GUARDRAIL SET

- Weight: 66 lbs.
- Indoor and outdoor use.
- Yellow powder coat finish.
- Steel frame A570 grade 40.
- Two hinged doors.



DACAME SL

www.dacame.com
dacame@dacame.com

Ctra. Santa Bárbara - La Sénia, km. 4'6 - 43515 LA GALERA (T) - SPAIN
Phone: +34 977 71 70 04 Fax: +34 977 71 93 89



Management System
ISO 9001:2008

www.tuv.com
ID 9105058372