



European Frame Scaffolding

FREE 48



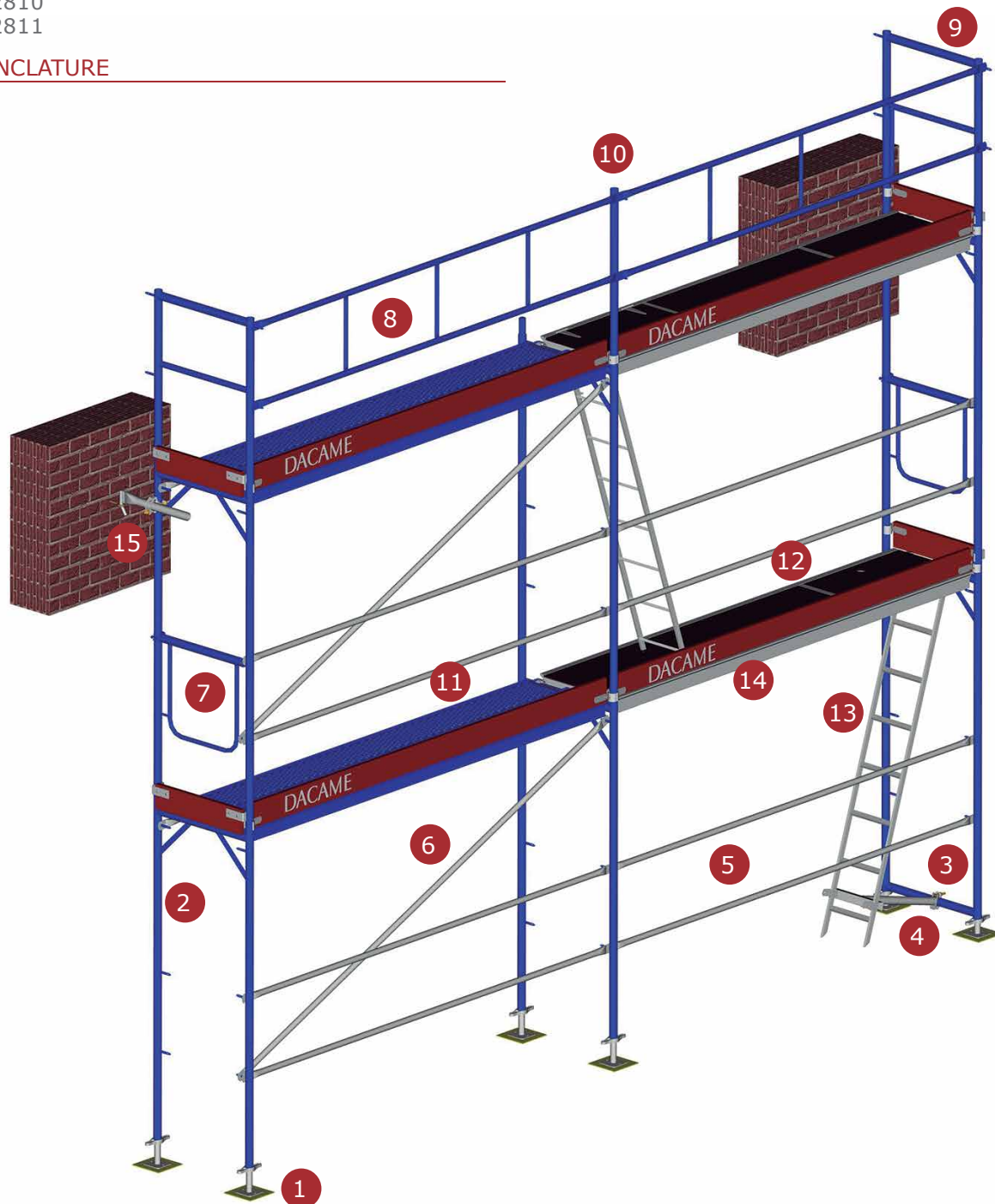
FREE 48 EUROPEAN FRAME SCAFFOLDING

The European Frame Scaffolding **FREE 48** is ideal for regular façades, as its simple, easy-to-use design allows for quick assembly. The design of the European Frame Scaffolding FREE 48 is based on the The Certified Scaffolding DINO 48, although its weight has been optimized to improve the assembly process, without sacrificing the benefits of the European Frame Scaffolding. The versatility of its design means it can be adapted to any need and it allows for a multitude of different assemblies, requiring few components.

The European Frame Scaffolding **FREE 48** is manufactured according to the European Standards:

- EN 12810
- EN 12811

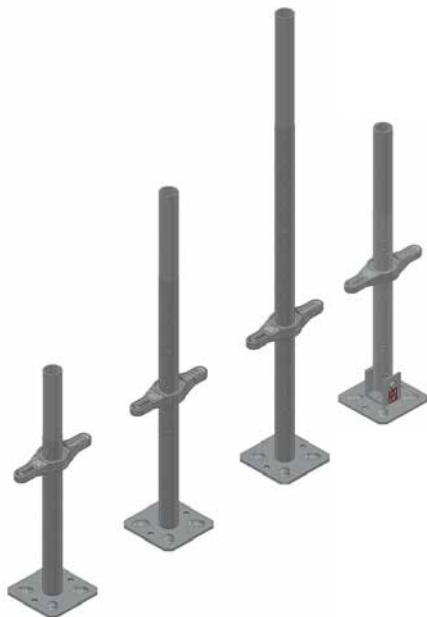
NOMENCLATURE



- 1.- SCREW JACK BASE
- 2.- SCAFFOLD FRAME
- 3.- RUNNER
- 4.- ACCESS LADDER SUPPORT
- 5.- HANDRAIL
- 6.- TF DIAGONAL BRACE
- 7.- SIDE GUARDRAIL
- 8.- TOP GUARDRAIL

- 9.- SIDE GUARDRAIL ACCESSORY
- 10.- CENTRAL GUARDRAIL ACCESSORY
- 11.- FIXED STEEL PLANK
- 12.- ACCESS PLANK
- 13.- ACCESS LADDER
- 14.- TOEBOARD
- 15.- TIE BAR

SCREW JACK BASES



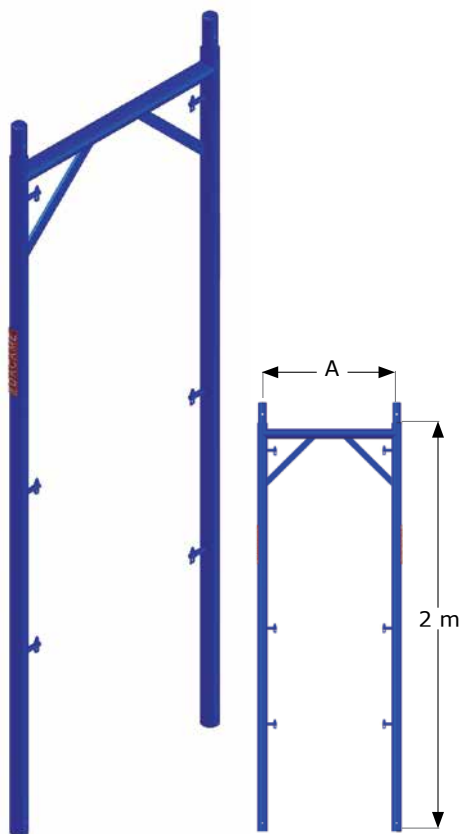
Made of zinc plated steel. They bear the load of the vertical pipes. The reinforced base plate has a thickness of 5 mm and a surface area of 120 X 120 mm. Ø 36 mm threaded rod available in different lengths. With overlapping space in compliance with the current regulations.

The swivel screw jack base accommodates the scaffold on inclined surfaces.



COMPONENT	WEIGHT (kg)	MAX. REG. (cm)	REFERENCE
SCREW JACK BASE Ø 36 (500)	2,8	35	025010108
SCREW JACK BASE Ø 36 (750)	3,6	57	025020078
SCREW JACK BASE Ø 36 (1000)	4,0	75	025020108
SWIVEL JACK BASE Ø 36 (I-600)	3,0	50	219902060

SCAFFOLD FRAMES



These are the basic components of the FREE 48 system. Manufactured with tubes of Ø 48, they are fitted with lock pins for assembling the system's guardrails and diagonal braces. The reinforcements at both top ends make the system extremely rigid. The upper end has spigots for attaching Ø 40 pipes. Both uprights have drill holes at their lower end and in the spigot so that they can be attached with a snap pin.

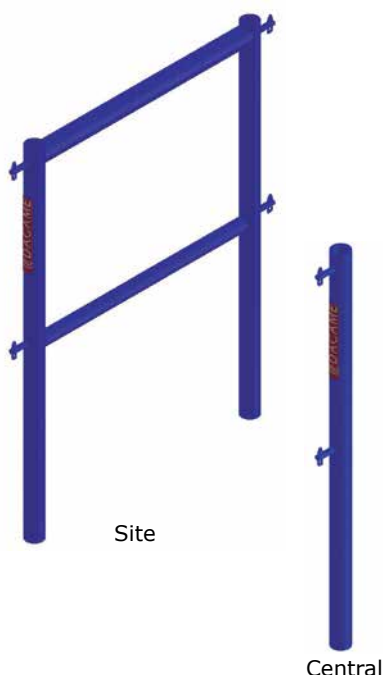
Surface finish with epoxy paint, suitable for outdoor use.

<p>Lock pin Ø 14</p>	<p>Reinforced at the top ends with a rectangular handrail.</p>	<p>Snap pin</p>	<p>Assembly</p>
--------------------------	----------------------------------------------------------------	-----------------	-----------------

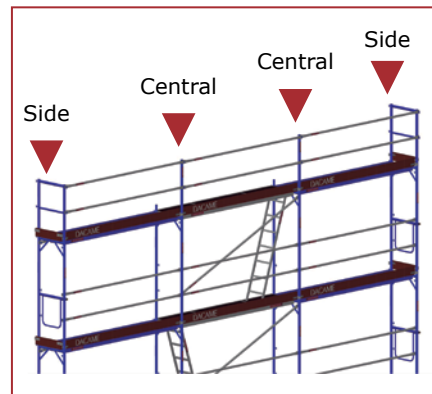
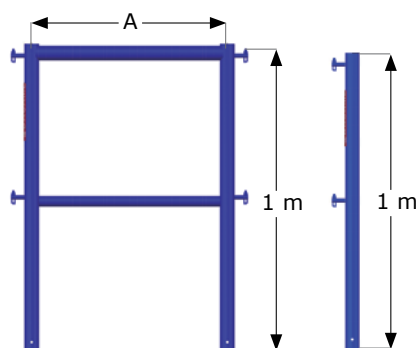
COMPONENT	WEIGHT (kg)	A WIDTH (m)	REFERENCE
SCAFFOLD FRAME FREE 48 2000x650	12	0,65	260020070
SNAP PIN	0,08	-	070300001



GUARDRAIL ACCESSORIES



These components are designed to provide the side protection on the top level of planks. Manufactured with tubes of Ø 48 mm. Fitted with lock pins to enable handrails and guardrails to be assembled. Surface finish with epoxy paint, suitable for outdoor use.



COMPONENT	WEIGHT (kg)	A WIDTH (m)	REFERENCE
SUPPLEMENT INNER FREE 48 LATERAL 650	7,2	0,65	260050703
SUPPLEMENT INNER FREE 48 CENTRAL	2,5	-	260050003

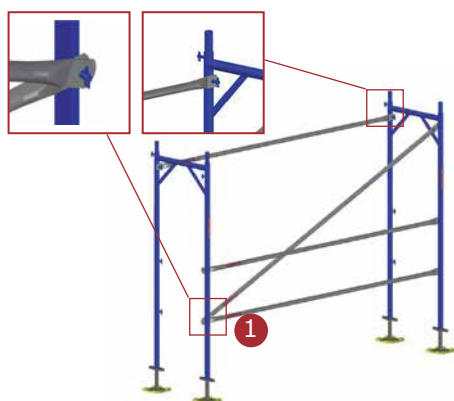
HANDRAILS & DIAGONAL BRACES



The handrails and diagonal braces are the components that enable the side protection to be installed and make the structure rigid. Made from Ø 35 mm tube that is continuous hot galvanized (Sendzimir).



Diagonal bracing system:



- 1 **TF:** Diagonal bracing from the top inner cradle head of the frame. The other end of the diagonal brace is connected to the lower cradle head of adjacent frame on the same level.

COMPONENT	WEIGHT (kg)	LENGTH (m)	REFERENCE
HANDRAIL FREE 48 2000 (GA)	2,8	2,00	260012000
HANDRAIL FREE 48 2500 (GA)	3,4	2,50	260012500
HANDRAIL FREE 48 3000 (GA)	4,1	3,00	260013000
DIAGONAL FREE 48 2000 TF (GA)	3,3	2,40	260032000
DIAGONAL FREE 48 2500 TF (GA)	3,9	2,83	260032500
DIAGONAL FREE 48 3000 TF (GA)	4,4	3,28	260033000

TIES



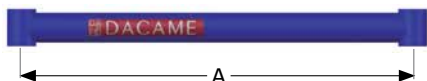
An indispensable component for securing the scaffolding to the structure's facade. It should be used with an EN 74 Ø 48 coupler. Hook diameter: 18 mm.

COMPONENT	WEIGHT (kg)	LENGTH (m)	REFERENCE
TIE BAR 500	1,5	0,5	025029083
TIE BAR 1000	2,4	1,0	025029093
TIE BAR 1500	3,4	1,5	025029103

INITIATION SUPPORT



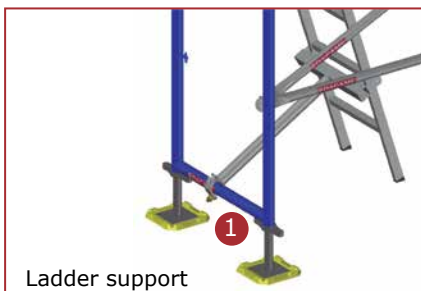
1 Initiation support planks



The plank initiation support enables the ladder support to be assembled or a level of platforms for the ladder to rest on.

Bushing height 60 mm.

Surface finish with epoxy paint, suitable for outdoor use.



Ladder support

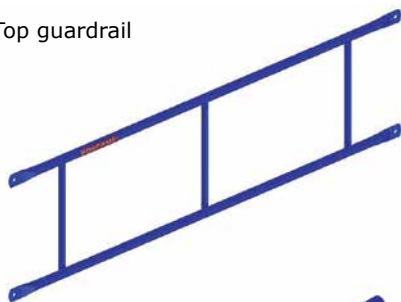


Plank level

COMPONENT	WEIGHT (kg)	A WIDTH (m)	REFERENCE
INITIATION SUP. PLANK FREE 48	1,8	0,65	260060703

GUARDRAILS

Top guardrail



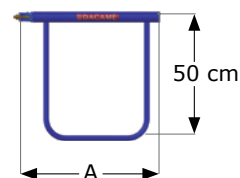
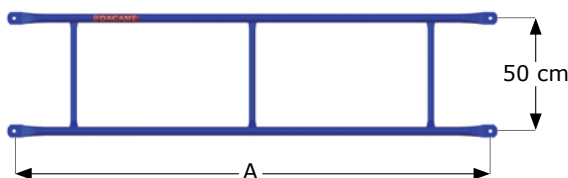
Side guardrail



The top guardrail is an alternative to using the handrail for side protection, making the assembly more rigid.

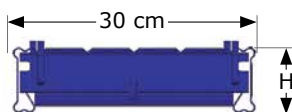
The side guardrail is used to cover the gap at the sides of the frames of a width of 65 cm at both ends.

Surface finish with epoxy paint, suitable for outdoor use.



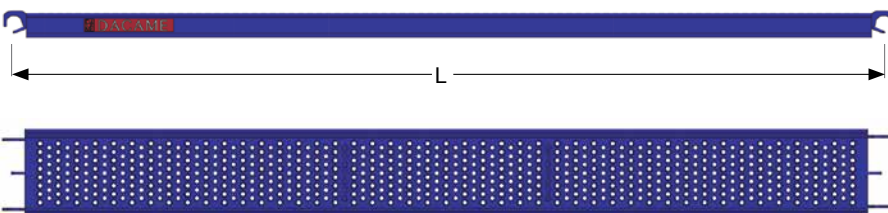
COMPONENT	WEIGHT (kg)	A WIDTH (m)	REFERENCE
TOP GUARDRAIL D48/F48 2000	6,0	2,0	025012063
TOP GUARDRAIL D48/F48 2500	8,0	2,5	025012563
TOP GUARDRAIL D48/F48 3000	9,1	3,0	025013063
TOP GUARDRAIL FREE 48 650	3,4	0,65	260040703

FIXED STEEL PLANKS



The planks comply with the EN 12811 requirements. An extremely resistant perforated working area manufactured with anti-slip grooves. The 2 welded tubes make them easy to handle. Width: 30 cm.

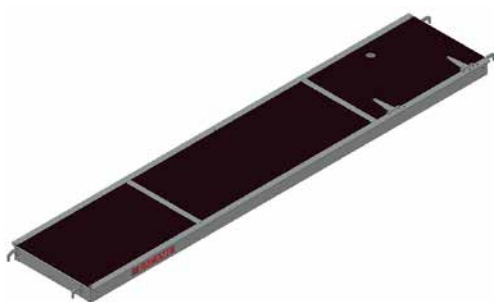
Surface finish with epoxy paint, suitable for outdoor use.



COMPONENT	H (cm)	C (kg/m ²)	WEIGHT (kg)	LENGTH (m)	REFERENCE
FIXED PLANK M48/D48 2000 C-4	7	300	11	2,0	210530202
FIXED PLANK M48/D48 2500 C-4	7	300	13	2,5	210530252
FIXED PLANK M48/D48 3000 C-4	7	300	16	3,0	210530302

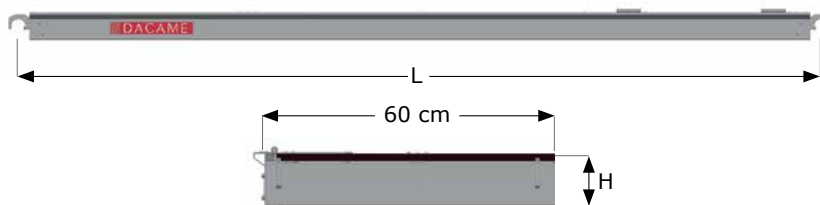
H: edge height
C: load capacity

PLATAFORMAS DE ACCESO



The planks comply with the European Standard EN 12811. Aluminium structural frame. A working area made of 9 mm thick, damp-proof and anti-slip board.

Ladder supplied separately.



COMPONENT	H (cm)	C (kg/m ²)	WEIGHT (kg)	LENGTH (m)	REFERENCE
ACCESS PLANK TRAP DCM 2000 C4 FR	10	300	21,5	2,0	270900200
ACCESS PLANK TRAP DCM 2500 C4 FR	10	300	24,5	2,5	270900250
ACCESS PLANK TRAP DCM 3000 C4 FR	10	300	28,0	3,0	270900300

H: edge height
C: load capacity

ACCES LADDER



Manufactured with 6061 aluminium. Complies with the European Standards EN 131-1 and 2. Removable screw eye hooks on the top part and non-slip rubber feet.

Step width 40 cm.

COMPONENT	WEIGHT (kg)	LENGTH (m)	REFERENCE
ACCESS LADDER (AL)	3,4	2,06	240920000

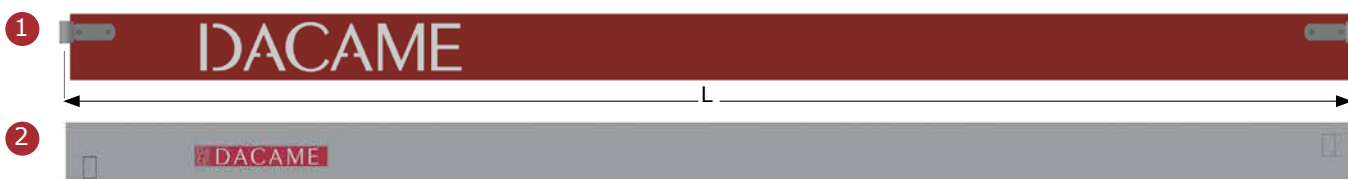
ACCESS LADDER SUPPORT



Allows for the first access ladder to be properly inclined without the need of steel planks. Attached to the horizontal brace using a Ø 48 mm coupler. Hot-dip galvanized (with a minimum thickness of 75 microns).

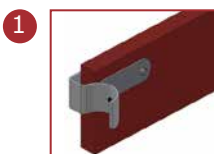
COMPONENT	WEIGHT (kg)	LENGTH (m)	REFERENCE
ACCESS LADDER SUPPORT (GA)	4,5	40	212390010

TOEBOARDS

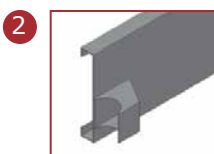


Designed to complete the side protection (guardrail). Made from anti-humidity wood. Metal clamps on both ends. 15 cm of protective height.

WOOD



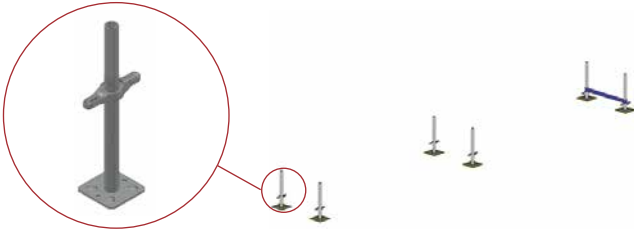
METAL



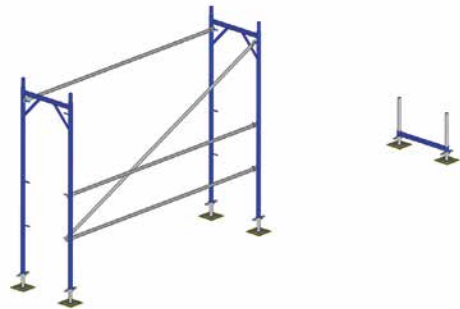
COMPONENT	WEIGHT (kg)	LENGTH (m)	REFERENCE
TOEBOARD FREE 48 650 (WD)	2,1	0,65	260070650
TOEBOARD M48/D48 2000 (WD)	4,5	2,0	210800200
TOEBOARD M48/D48 2500 (WD)	5,7	2,5	210800250
TOEBOARD M48/D48 3000 (WD)	6,7	3,0	210800300
TOEBOARD FREE 48 650 (SM)	1,7	0,65	260070658
TOEBOARD D48/D45/D49 2000 (SM)	5,9	2,0	251000200
TOEBOARD D48/D45/D49 2500 (SM)	7,3	2,5	251000250
TOEBOARD D48/D45/D49 3000 (SM)	8,8	3,0	251000300

ASSEMBLY PROCEDURE

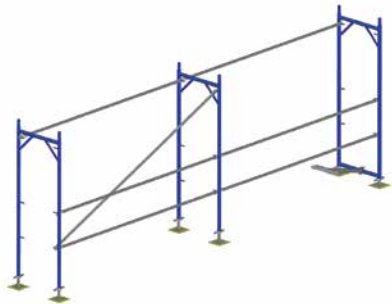
1 Starting from the highest point, place the screw jack bases on the ground. It is recommended the ground to be compacted with sole boards in order to distribute the weight of the load. **Place the plank initiation support where the access section will go.**



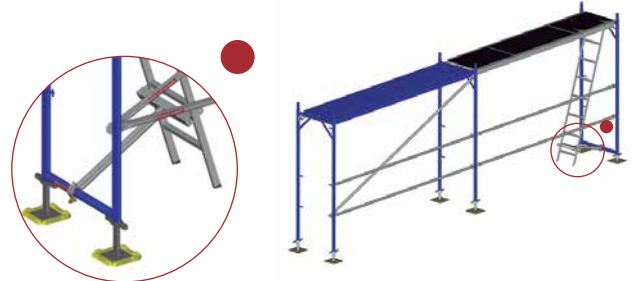
2 Assemble two **scaffold frames**, connected by two **handrails** on the outer side and one handrail on the inside, using the **diagonal brace** to make them rigid.



3 Put the rest of the frames, handrails and diagonal braces together (these will depend on the length and height of the scaffold). **Assemble the ladder support on the initiation support.**



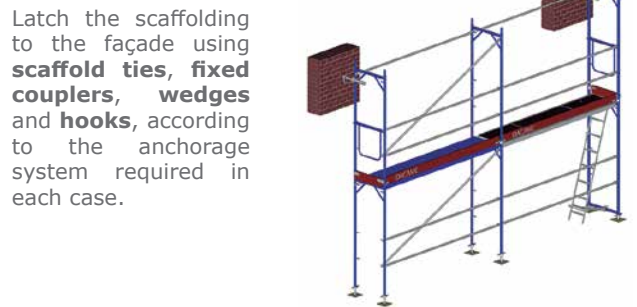
4 Erect the **fixed planks** and the **access plank**, using the **access ladder support**, fitted to the initiation support to hold up the access ladder.



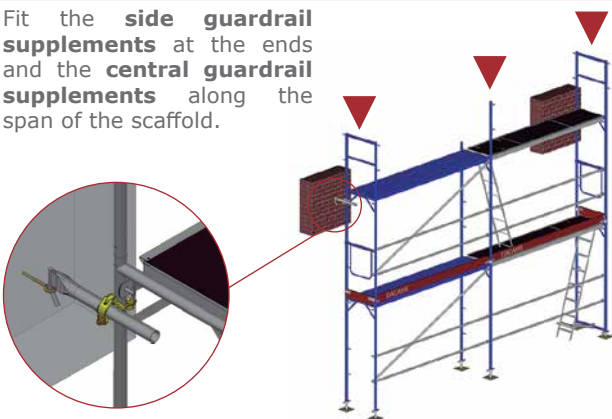
5 Assemble the second level of frames. Workers must wear a safety harness attached to a secure anchoring point.



6 Complete the second level by assembling handrails at 0.5m and 1m above the level of the planks, as well as the diagonal braces, **side guardrails** and **toeboards**.



7 Fit the **side guardrail supplements** at the ends and the **central guardrail supplements** along the span of the scaffold.



8 Complete the side protection by putting the **top guardrails** and toeboards in place.





Sistema de Gestión
ISO 9001

www.tuv.com
ID 9105058372

DACAME, S.L.
Ctra. Santa Bárbara - La Sénia, km 4,6
43515 - La Galera
Tarragona - Spain

Tel. + 34 977 71 70 04
Fax + 34 977 71 93 89
dacame@dacame.com
www.dacame.com

V.03-2012

Modular Scaffold

MEKA 48



Ladder Frame Scaffold

Conventional



Sectional Scaffold

SECUS



European Frame Scaffold

DINO 48



Aluminium Rolling Towers

ALU 50



Access Towers

ACCESS



FREE 48



ALU FREE



Shoring Towers

SHORING
TOWER D



Façade Scaffold

DUO 45



Steel Rolling Towers


SYS-FAST



Stages, Ramps and Grandstands

MEKA FEST 48



DUO 45+ 



FREE 42



Scaffold Accessories

DCM 49



MULTIPURPOSE



ACCESSORIES



Product manufacturer: Dacame S.L. · Product design: Dacame, S.L. · Graphic design: Dacame, S.L. · Production: Dacame, S.L.

The content of this catalogue is protected in its entirety by copyright. It is completely prohibited to copy the images, texts, illustrations and graphic concepts, totally or partially, without the express authorization of Dacame, S.L.